

EEI EV9 SERIES

AC CABINET FOR INDUSTRY

EEI Turn-key cabinet solution for 2Q / 4Q drive for a single AC motor applications.

PRODUCT RANGE

- AC power from 90kW to 3 MW
- Supply Voltage: 400 / 690 Vac
- Output Voltage from 0 up to 100% of Vac
- Output frequency from 0 up to 150 Hz

MAIN FEATURES

- Drives with SCR or IGBT power circuit
- Low inductance connections
- HMI with embedded data-logger for local data storage and remote control
- Film capacitors for extended lifetime
- Air cooled

MOTOR CONTROL

- Close loop FOC
- Sensorless FOC
- V/F control

GENERAL FEATURES

- Mains: 380-415Vac Or 690V +/-10% at 50/60Hz
- Aux. Circuit supply: 110Vac / 24Vdc
- Altitude: < 1000 mt
- Humidity: 95% at +20°C
- Ambient Temperature : +5° to +40°C
- Cooling type: Air forced
- Cabinet Access: Front (passive components on rear)



MODULAR

Modular design permits compact solution



ADVANCED

Flexible software configuration allow wide functionalities



READY

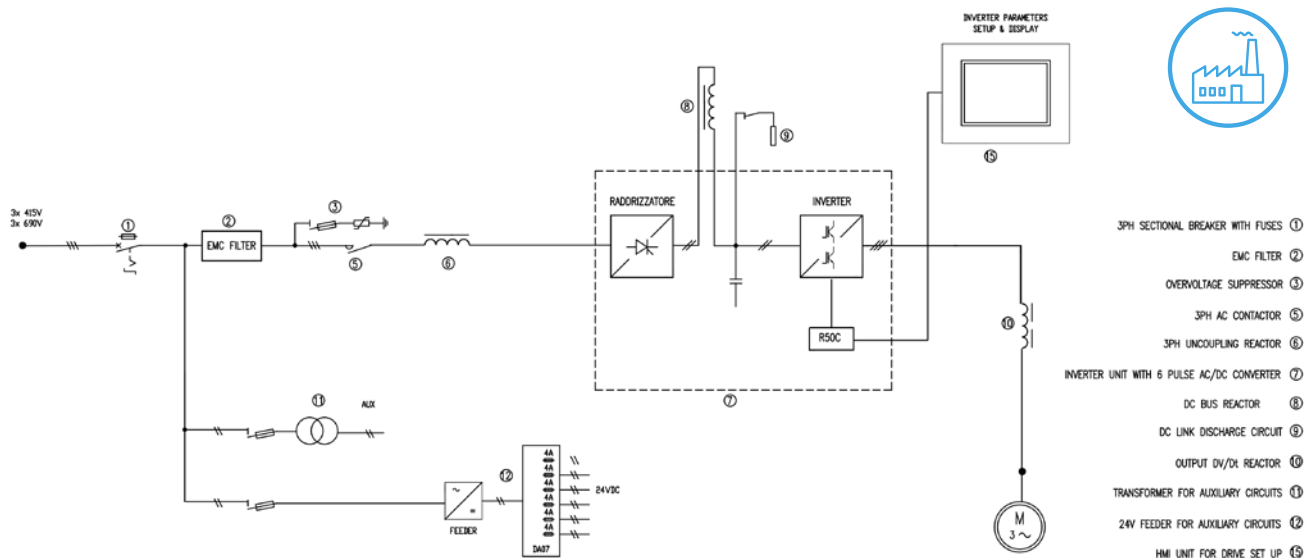
Turn-key cabinet solution with easy accessibility and maintainance



RELIABLE & EFFICIENT

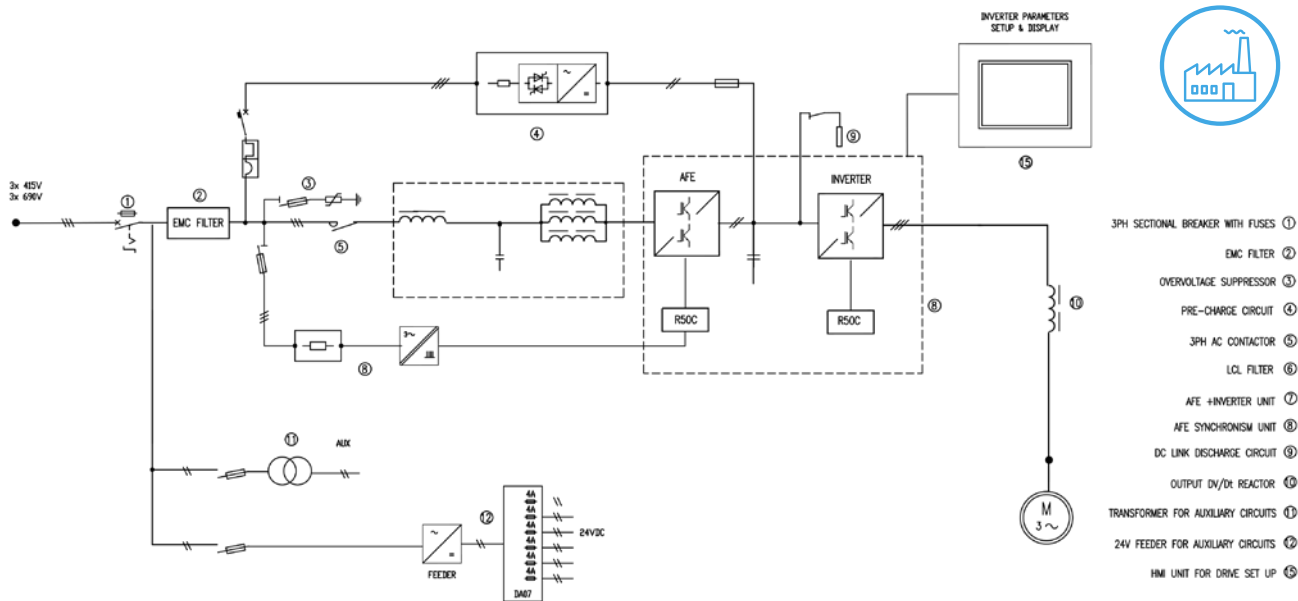
Equipped with latest power technology, robust design and energy saving





6 PULSE INVERTER CABINET	NORMAL DUTY		HEAVY DUTY		Dimensions(*) WxHxD [mm]
	P _N [kW]	I _N (**) [A]	P _N [kW]	I _N (**) [A]	
380-415VAC					
9W090QA04	90	170	75	145	800 x 2200 x 600
9W0110QA04	110	210	90	170	800 x 2200 x 600
9W0132QA04	132	260	110	210	800 x 2200 x 600
9W0160QA04	160	320	132	260	800 x 2200 x 600
9W0200QA04	200	360	160	320	800 x 2200 x 600
9W0250QA04	250	480	200	360	800 x 2200 x 600
9W0315QA04	315	580	250	480	800 x 2200 x 600
9W0355QA04	355	660	315	580	800 x 2200 x 600
9W0400QA04	400	725	355	660	1200 x 2200 x 600
9W0450QA04	450	810	400	725	1200 x 2200 x 600
9W0500QA04	500	900	450	810	1200 x 2200 x 600
9W0560QA04	560	1040	500	900	1200 x 2200 x 600
9W0630QA04	630	1150	560	1040	1600 x 2200 x 600
9W0710QA04	710	1295	630	1150	1600 x 2200 x 600
9W0800QA04	800	1450	710	1295	1600 x 2200 x 600
690VAC					
9W090SA04	90	95	75	82	800 x 2200 x 600
9W0110SA04	110	115	90	95	800 x 2200 x 600
9W0132SA04	132	140	110	115	800 x 2200 x 600
9W0160SA04	160	170	132	140	800 x 2200 x 600
9W0200SA04	200	215	160	170	800 x 2200 x 600
9W0250SA04	250	270	200	215	800 x 2200 x 600
9W0315SA04	315	340	250	270	800 x 2200 x 600
9W0355SA04	355	385	315	340	800 x 2200 x 600
9W0400SA04	400	435	355	385	1200 x 2200 x 600
9W0450SA04	450	480	400	435	1200 x 2200 x 600
9W0500SA04	500	545	450	480	1200 x 2200 x 600
9W0560SA04	560	610	500	545	1200 x 2200 x 600
9W0630SA04	630	685	560	610	1600 x 2200 x 600
9W0710SA04	710	760	630	685	1600 x 2200 x 600
9W0800SA04	800	870	710	760	1600 x 2200 x 600

(*) dimensions could be changed during project developing
 (**) values calculated for 4P AC motor with typical range.
 (***) any other options required will be evaluated separately



AFE INVERTER CABINET	NORMAL DUTY		HEAVY DUTY		Dimensions(*) WxHxD [mm]
	P _N [kW]	I _N (**) [A]	P _N [kW]	I _N (**) [A]	
380-415VAC					
9W090QA04	90	170	75	145	1200 x 2200 x 600
9W0110QA04	110	210	90	170	1200 x 2200 x 600
9W0132QA04	132	260	110	210	1200 x 2200 x 600
9W0160QA04	160	320	132	260	1600 x 2200 x 600
9W0200QA04	200	360	160	320	1600 x 2200 x 600
9W0250QA04	250	480	200	360	1600 x 2200 x 600
9W0315QA04	315	580	250	480	1600 x 2200 x 600
9W0355QA04	355	660	315	580	1600 x 2200 x 600
9W0400QA04	400	725	355	660	2000 x 2200 x 800
9W0450QA04	450	810	400	725	2000 x 2200 x 800
9W0500QA04	500	900	450	810	2000 x 2200 x 800
9W0560QA04	560	1040	500	900	2000 x 2200 x 800
9W0630QA04	630	1150	560	1040	2400 x 2200 x 1000
9W0710QA04	710	1295	630	1150	2400 x 2200 x 1000
9W0800QA04	800	1450	710	1295	2400 x 2200 x 1000
690VAC					
9Y090SA04	90	95	75	82	1200 x 2200 x 600
9Y0110SA04	110	115	90	95	1200 x 2200 x 600
9Y0132SA04	132	140	110	115	1200 x 2200 x 600
9Y0160SA04	160	170	132	140	1200 x 2200 x 600
9Y0200SA04	200	215	160	170	1200 x 2200 x 600
9Y0250SA04	250	270	200	215	1200 x 2200 x 600
9Y0315SA04	315	340	250	270	1200 x 2200 x 600
9Y0355SA04	355	385	315	340	1200 x 2200 x 600
9Y0400SA04	400	435	355	385	1600 x 2200 x 800
9Y0450SA04	450	480	400	435	1600 x 2200 x 800
9Y0500SA04	500	545	450	480	1600 x 2200 x 800
9Y0560SA04	560	610	500	545	1600 x 2200 x 800
9Y0630SA04	630	685	560	610	2000 x 2200 x 1000
9Y0710SA04	710	760	630	685	2000 x 2200 x 1000
9Y0800SA04	800	870	710	760	2000 x 2200 x 1000

(*) dimensions could be changed during project developing
 (**) values calculated for 4P AC motor with typical range.
 (***) any other options required will be evaluated separately

EEI - Equipaggiamenti Elettronici Industriali S.p.A.
 T +39.0444.562988 | F +39.0444.562373 (6 linee r.a.) | @ staff@eei.it