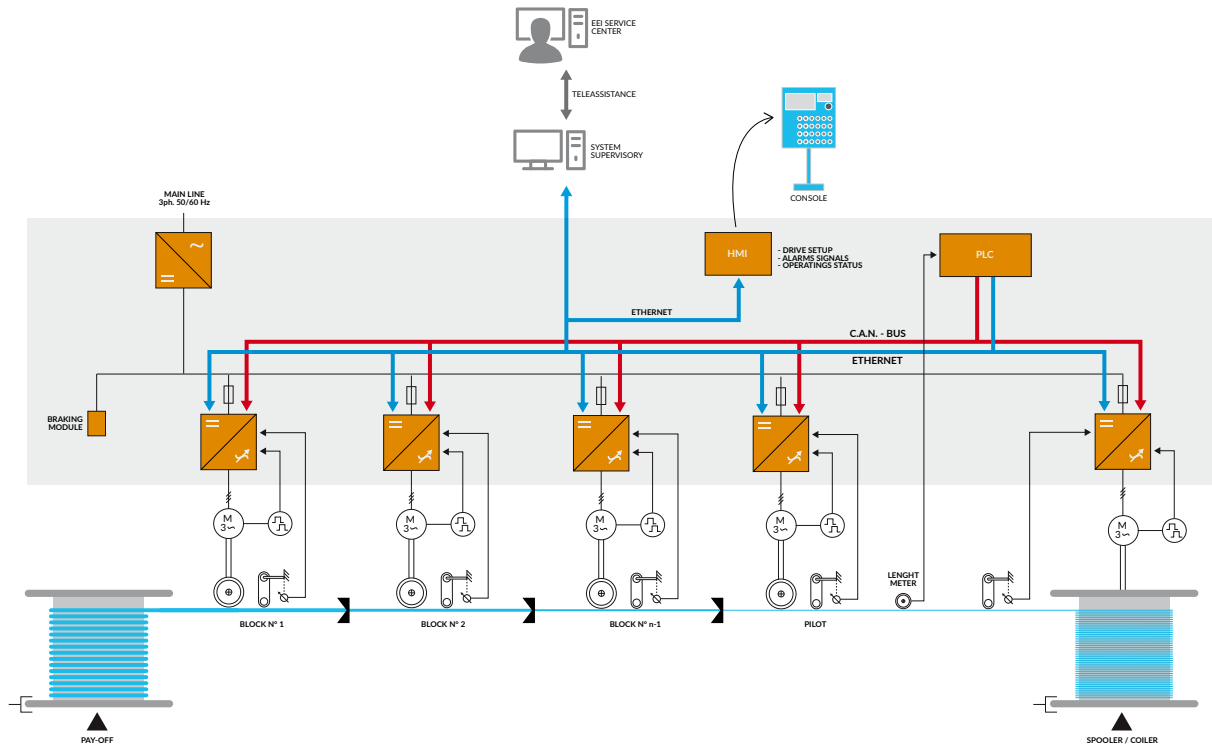


WIRE DRAWING MACHINE SOLUTION

EI WIRE - COMPACT
MODULAR SOLUTION FOR
WIRE DRAWING MACHINE
VARIABLE SPEED DRIVE
FROM 15KW UP TO
150KW FOR EACH BLOCK

- Including control desk and automation system.
- The automation system is developed according to customer requirements, flexible to be interfaced with SCADA plant for industry 4.0, embedded Softscope functionality for remote support.
- Designed following quality standards.



EEI - Equipaggiamenti Elettronici Industriali S.p.A.
T +39.0444.562988 | F +39.0444.562373 (6 linee r.a.) | @ staff@eei.it

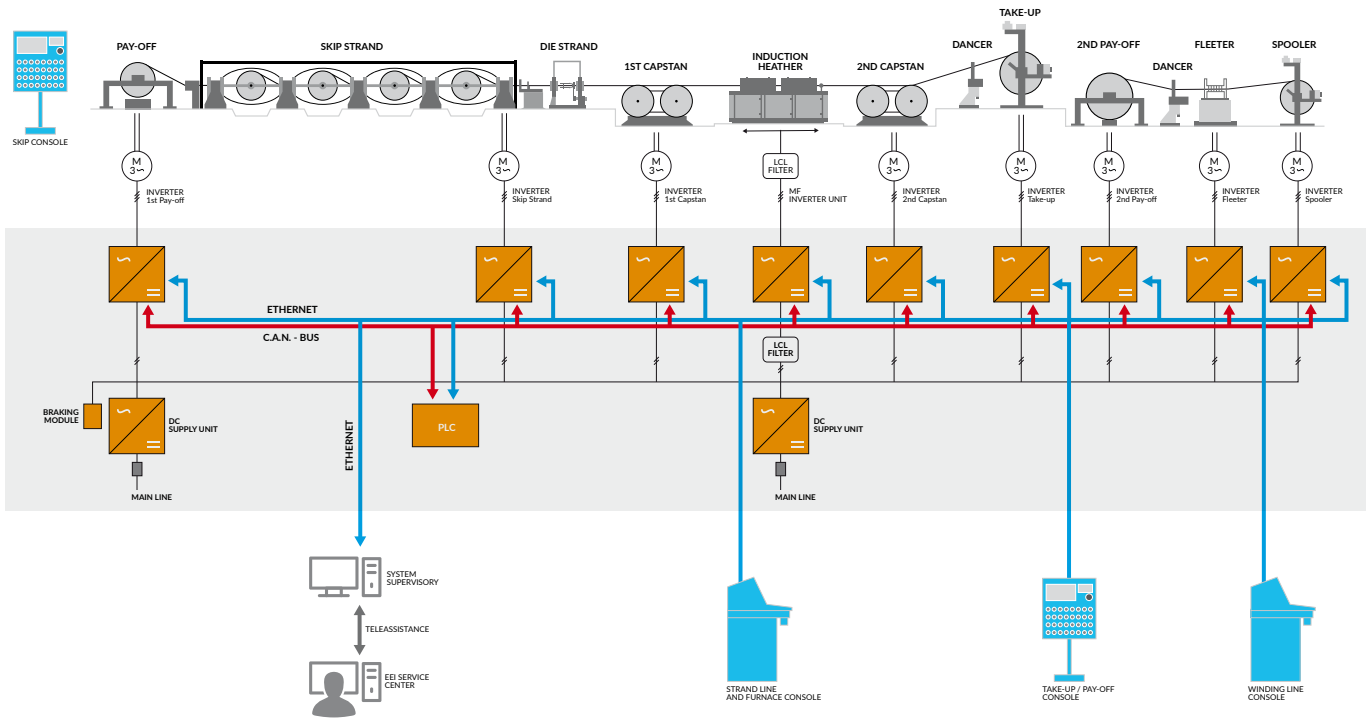
www.eei.it

EEI
ITALIAN
POWER
TECHNOLOGY

STRAND LINE SOLUTION

EEL ELECTRICAL CABINET, CONTROL DESKS INCLUDING AUTOMATION SYSTEM FOR STRAND LINE MACHINES

- Designed following quality standards.
- New EEL drives generation with full digital regulation for command and control AC motors improving performances, efficiency of machine and quality of final product.
- High accuracy strand lay and high precision levels at dynamic speed and torque control by load cell feedback or indirect mode.
- The automation system is developed according to customer requirements, flexible to be interfaced with furnace and SCADA plant for industry 4.0, embedded Softscope functionality for remote support.



EEL - Equipaggiamenti Elettronici Industriali S.p.A.
 T +39.0444.562988 | F +39.0444.562373 (6 linee r.a.) | @ staff@eei.it